
Search Examples

Grid Example

Search Examples

▷ Grid Example

8-Puzzle

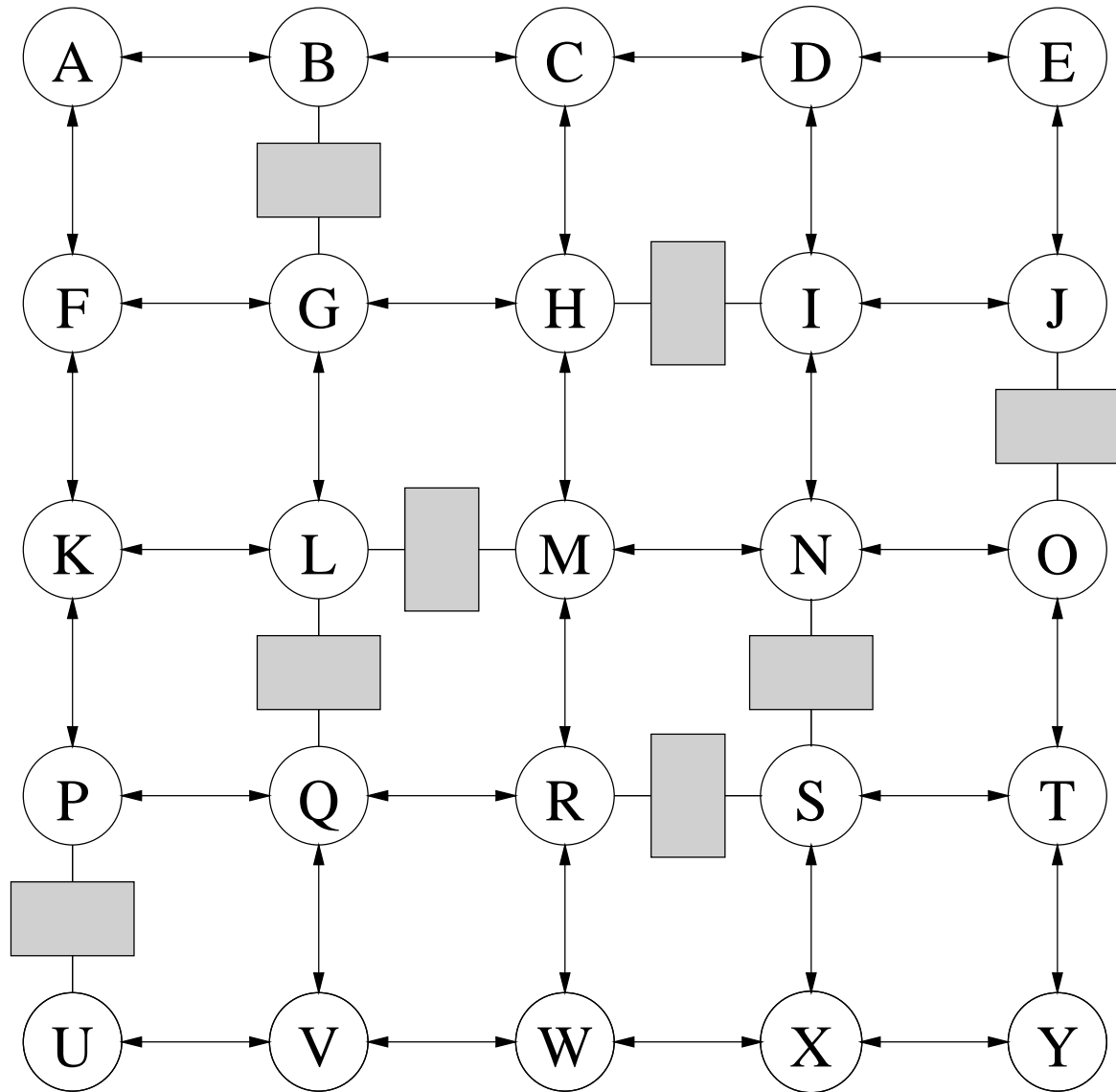
Uninformed Example

Uninformed Example

2

Heuristics Example

Uniform Tree



8-Puzzle

Search Examples

Grid Example

▷ 8-Puzzle

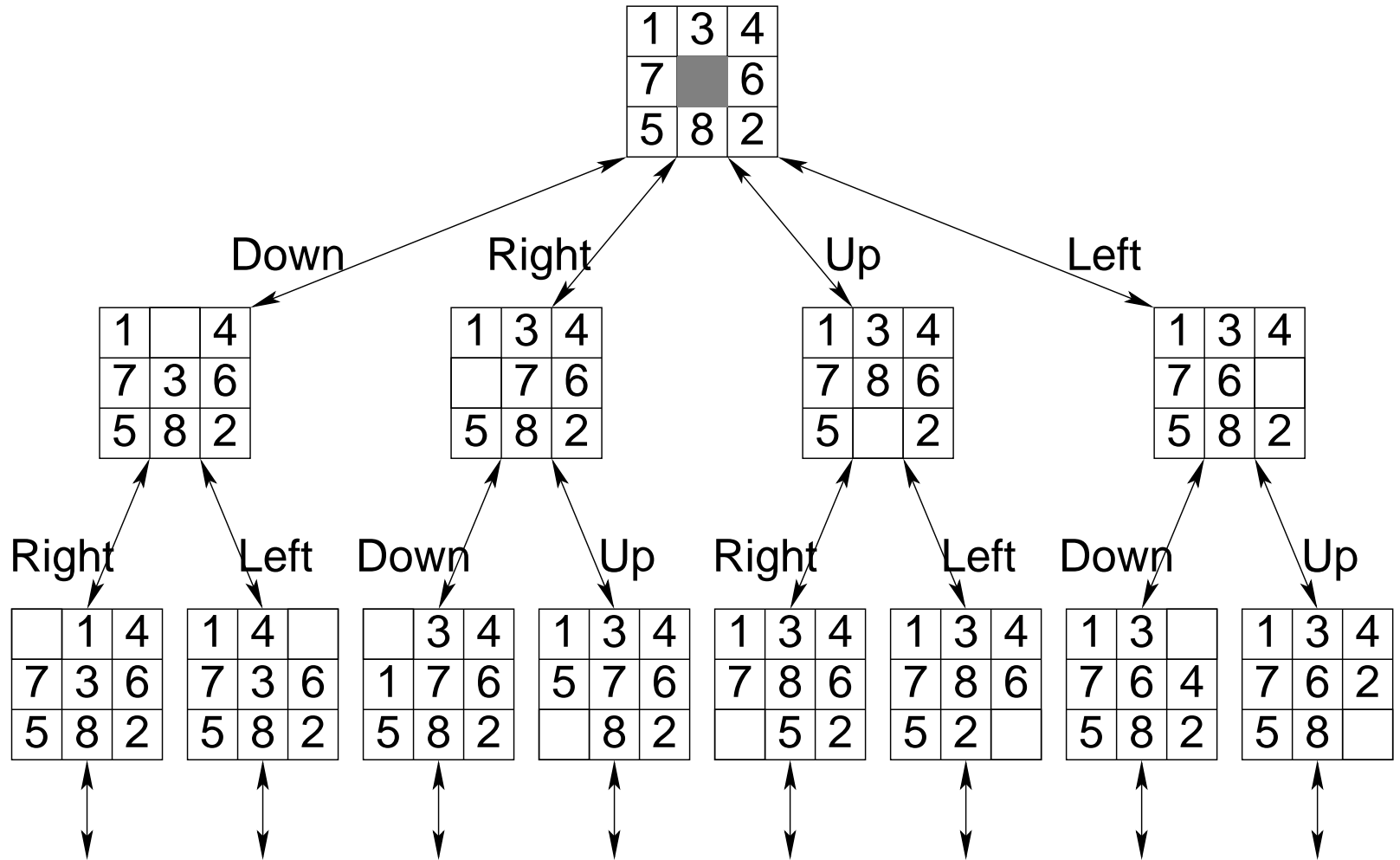
Uninformed Example

Uninformed Example

2

Heuristics Example

Uniform Tree



Uninformed Example

Search Examples

Grid Example

8-Puzzle

▷ Uninformed

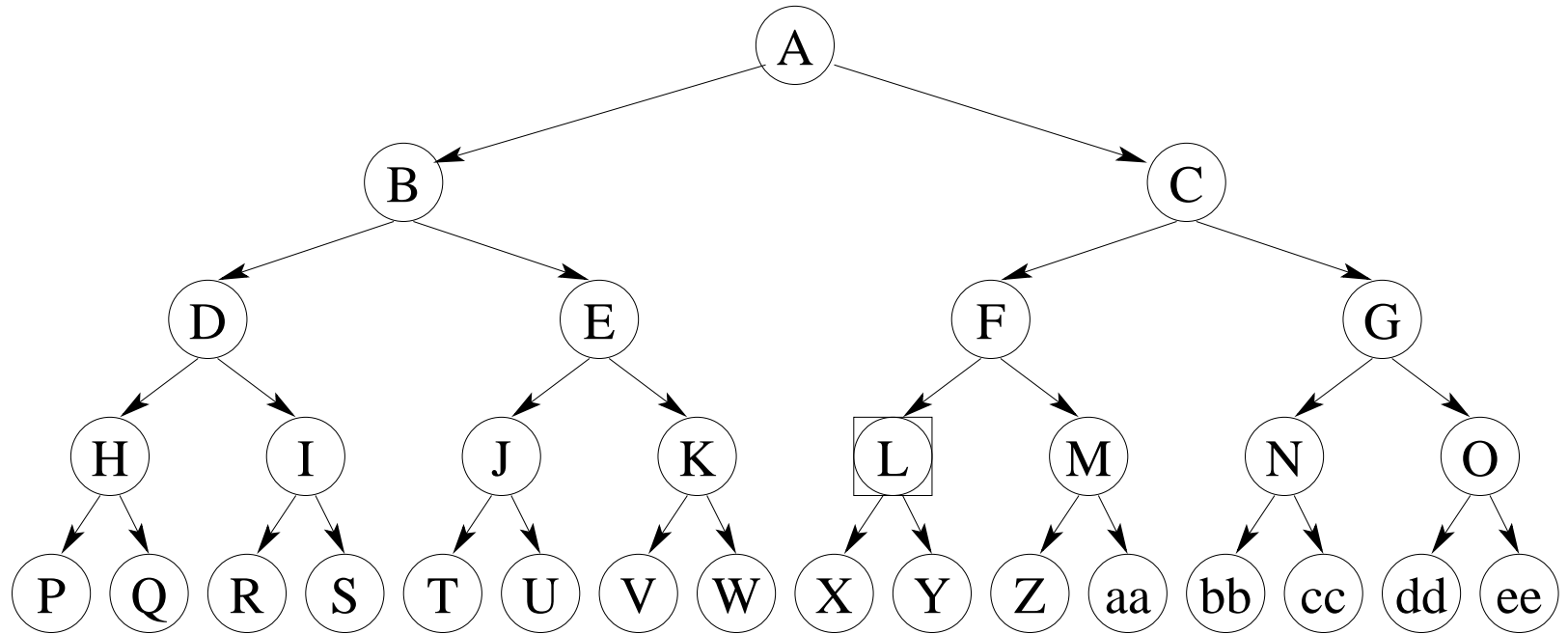
Example

Uninformed Example

2

Heuristics Example

Uniform Tree



Uninformed Example 2

Search Examples

Grid Example

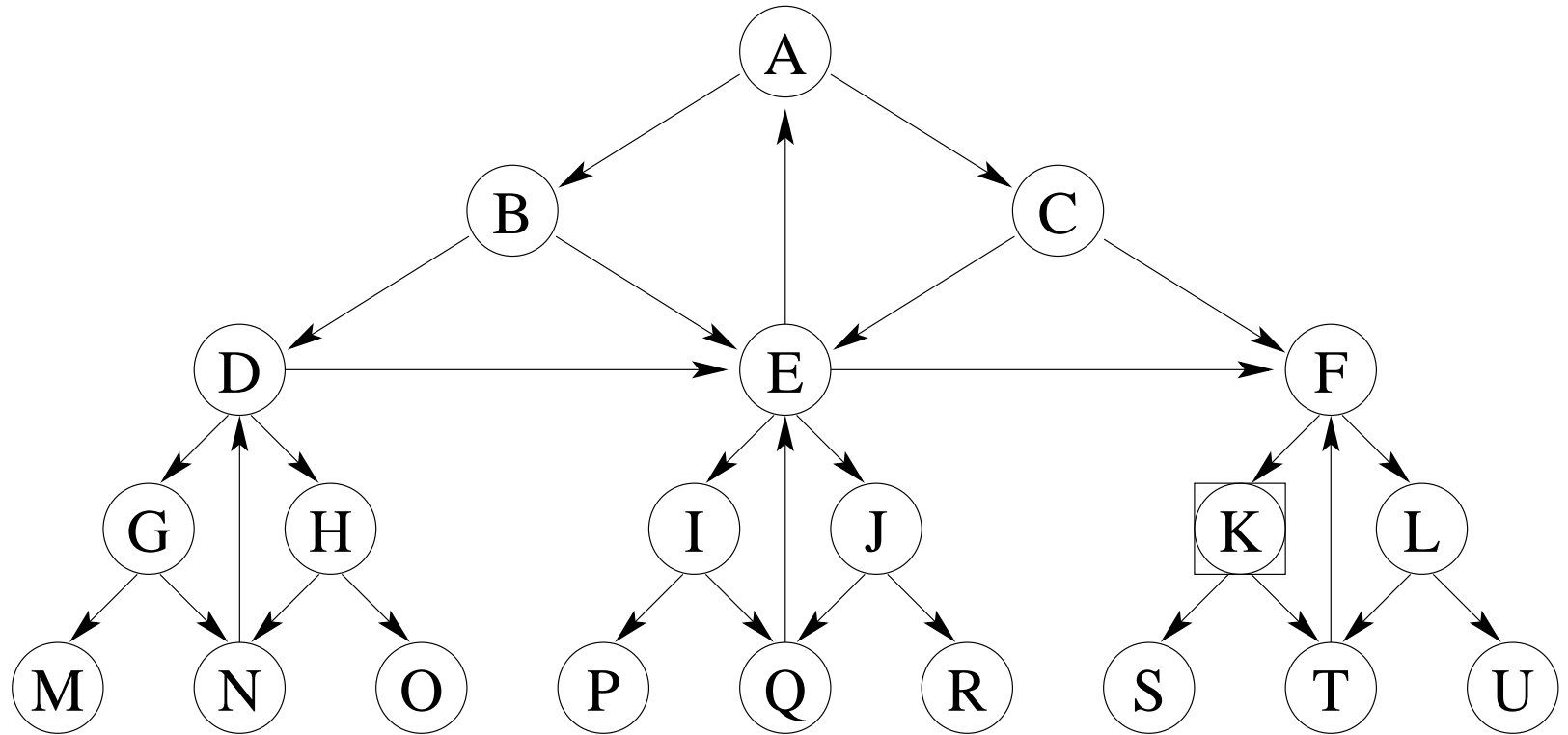
8-Puzzle

Uninformed Example

▷ Uninformed Example 2

Heuristics Example

Uniform Tree



Heuristics Example

Search Examples

Grid Example

8-Puzzle

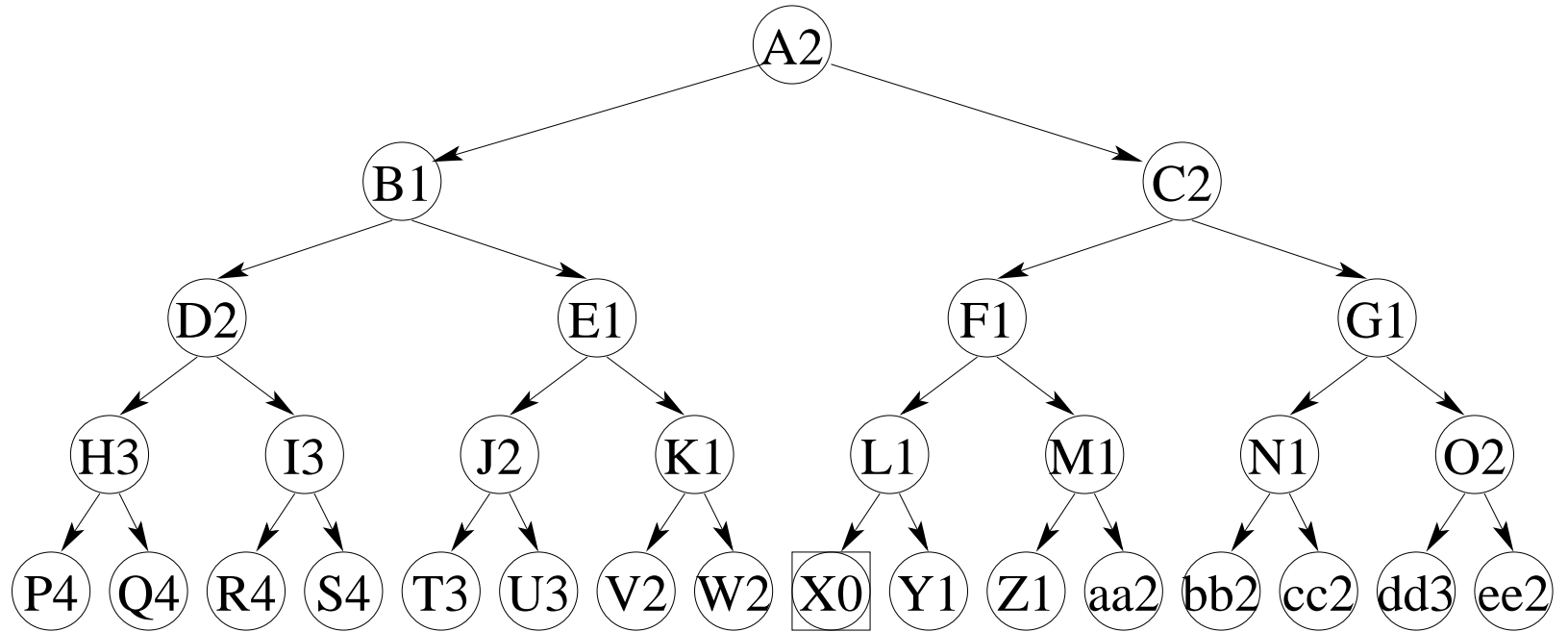
Uninformed Example

Uninformed Example
2

▷ Heuristics

▷ Example

Uniform Tree



Uniform Search Tree

Search Examples

Grid Example

8-Puzzle

Uninformed Example

Uninformed Example

2

Heuristics Example

▷ Uniform Tree

