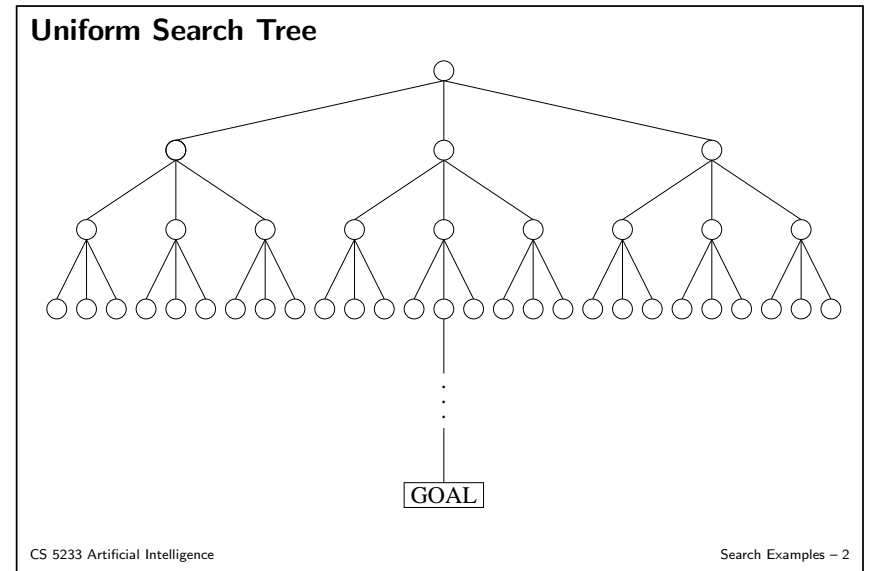


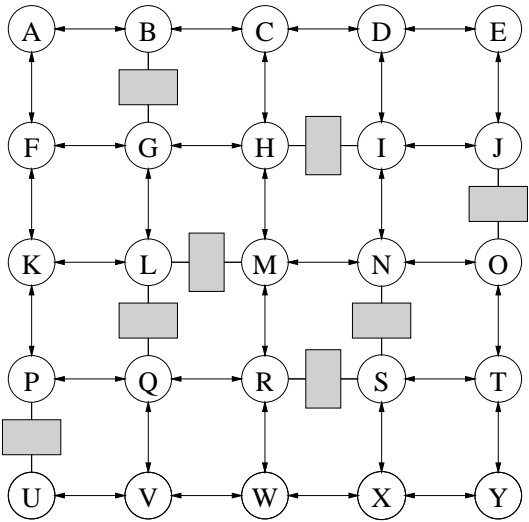
Search Examples

Search Examples	2
Uniform Search Tree.....	2
Grid Example.....	3
8-Puzzle.....	4
Heuristics Example.....	5

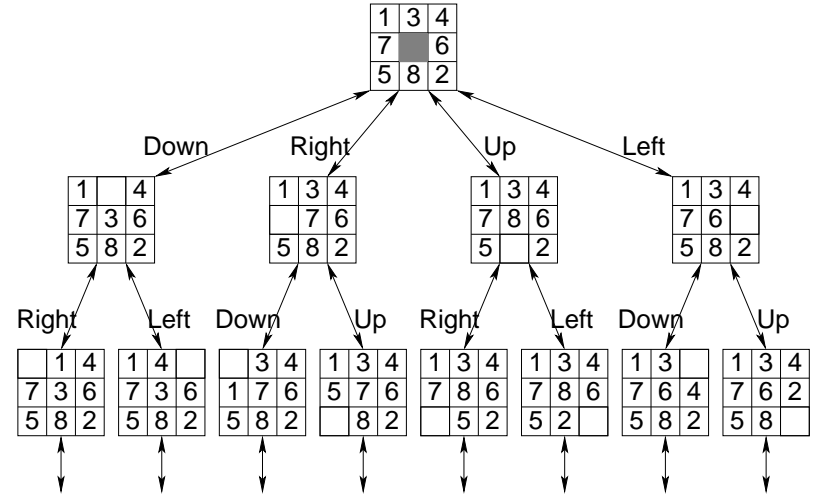
Search Examples



Grid Example



8-Puzzle



Heuristics Example

