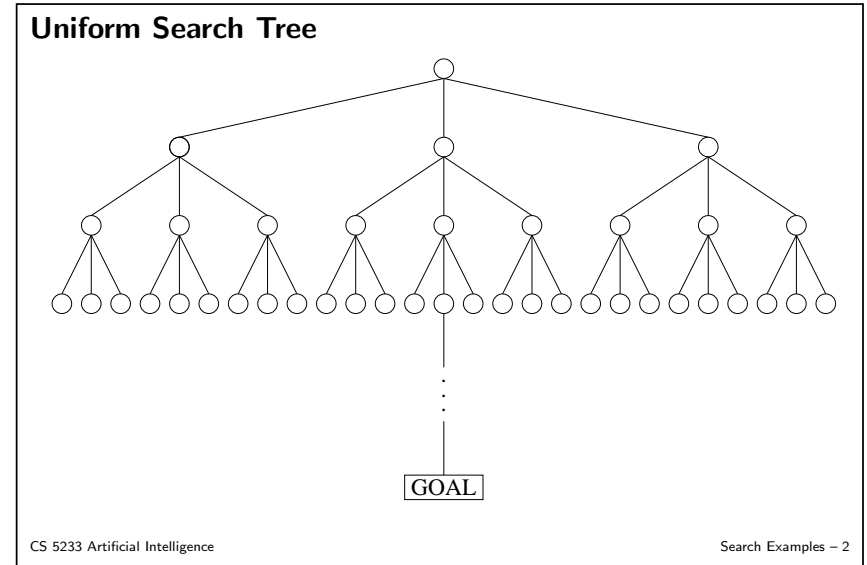


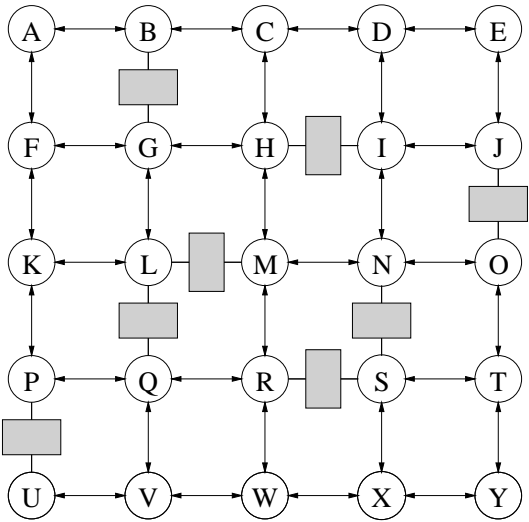
# Search Examples

<b>Search Examples</b>	<b>2</b>
Uniform Search Tree.....	2
Grid Example.....	3
8-Puzzle.....	4
Heuristics Example.....	5

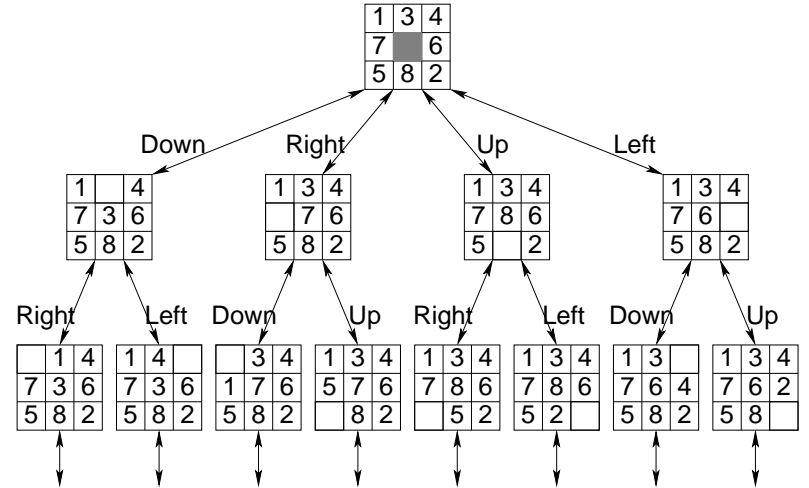
## Search Examples



### Grid Example



### 8-Puzzle



### Heuristics Example

